

MEM BAR TAP Single-lever mixer - Chrome

MEM

33 805 682



- 166mm projection
- pivotable spout 360°
- Optional swivel limiter available with swivel limiter set 12 820 970 90
- air-enriched flow
- max. flow 6.3 l/min at 3 bar flow pressure
- lead-free
- This product can help a building meet the requirements of Green Building Rating Systems, e.g. LEED®, BREEAM®, DGNB

	Chrome	33 805 682-00
	Brushed Platinum	33 805 682-06
	Platinum	33 805 682-08
	Durabrace (23kt Gold)	33 805 682-09
	Dark Chrome	33 805 682-19
	Brushed Durabrace (23kt Gold)	33 805 682-28
	Matte Black	33 805 682-33
	Brushed Champagne (22kt Gold)	33 805 682-46
	Champagne (22kt Gold)	33 805 682-47
	Brushed Chrome	33 805 682-93
	Brushed Dark Platinum	33 805 682-99

Recommended miscellaneous

Swivel limitation set - 12 820 970 90



Recommended miscellaneous

Strainer waste with control handle - Chrome 10 712 970-00



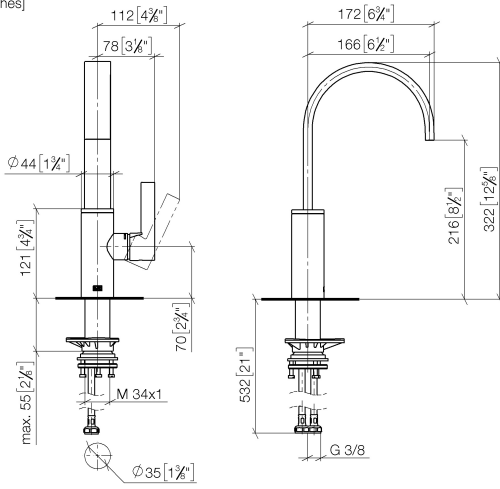
Recommended miscellaneous

Dispenser without rosette - Chrome 82 424 970-00

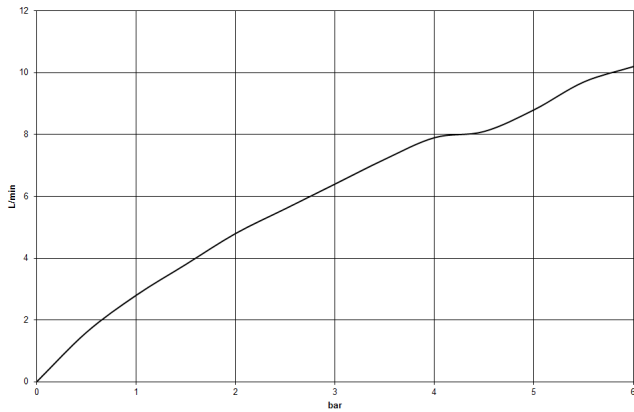


33 805 682

mm [inches]



Flow rate chart

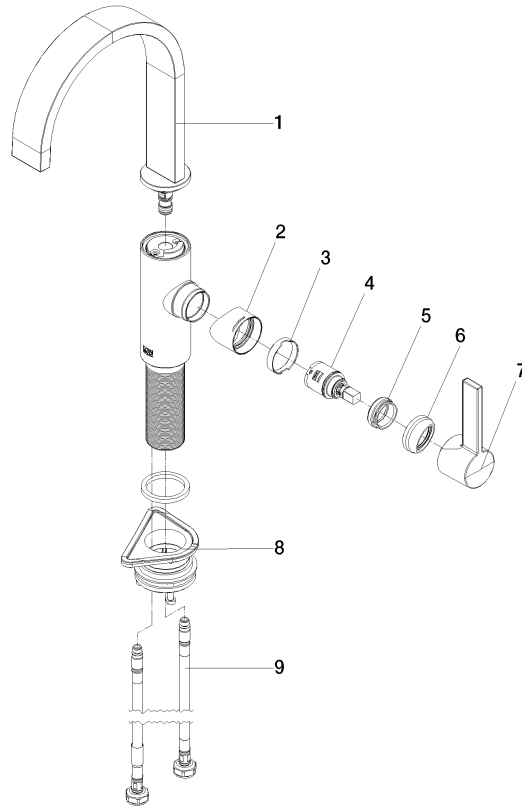


Certificates

LGA_38646.

WRAS_240202021.

33 805 682



Spare parts list

No.	Item Number	Name	Quantity used	Delivery time
1	90 28 22 282 00-00	spout	1	-
Spare part can no longer be ordered, please order the replacement item				
2	09 19 86 012-00	cover	1	60
3	90 23 10 128 00 90	nut	1	2
4	90 15 05 042 00 90	cartridge	1	2
5	09 24 04 266 90	nut	1	2
6	90 28 30 052 00-00	cover	1	10
7	90 20 86 004 00-00	handle	1	10
8	04 23 10 044 08 90	fixing set	1	2
9	04 30 04 101 00 90	hose	2	2